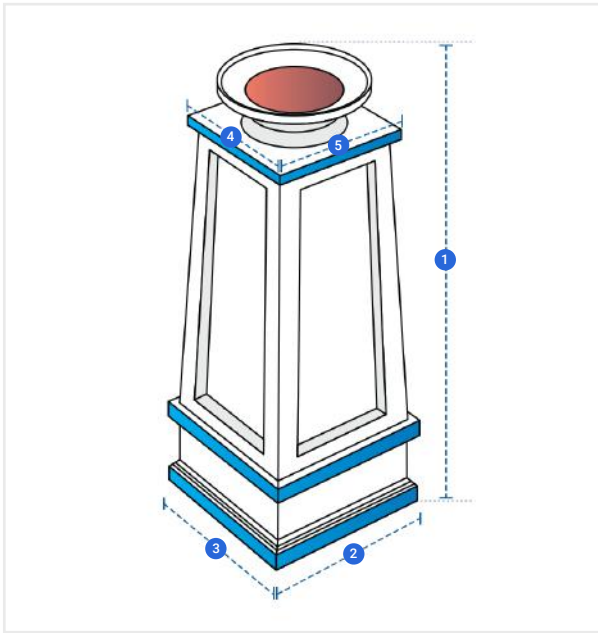


How to Measure Fire Column Covers - Design 6

Measurement Instruction

- ✓ Give exact measurement from edge to edge.
- ✓ We add 1" to 2" leeway on the given width/depth for easy pull-in and pull-out.
- ✓ The height dimensions will remain same as provided by you.



Measurement (Inches)

1. Height

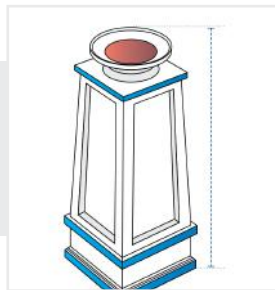
3. Depth

5. Upper Width

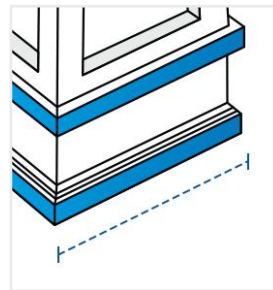
2. Width

4. Upper Depth

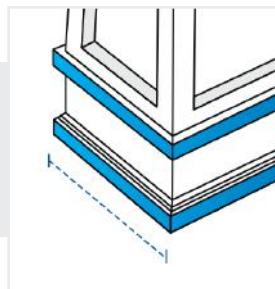
1. Height:
Height of the Fire Column



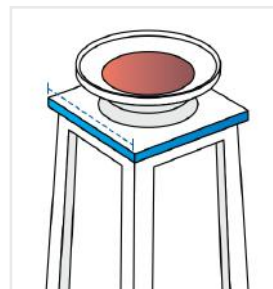
2. Width:
Width of the Fire Column



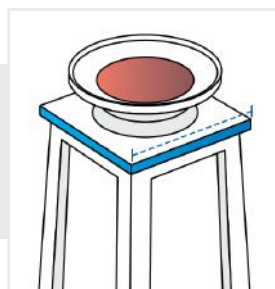
3. Depth:
Depth of the Fire Column



4. Upper Depth:
Upper Depth of the Fire Column



5. Upper Width:
Upper Width of the Fire Column



We encourage you to upload the image of the article you need the cover for - this helps our team ensure covers are designed keeping your requirements in mind.