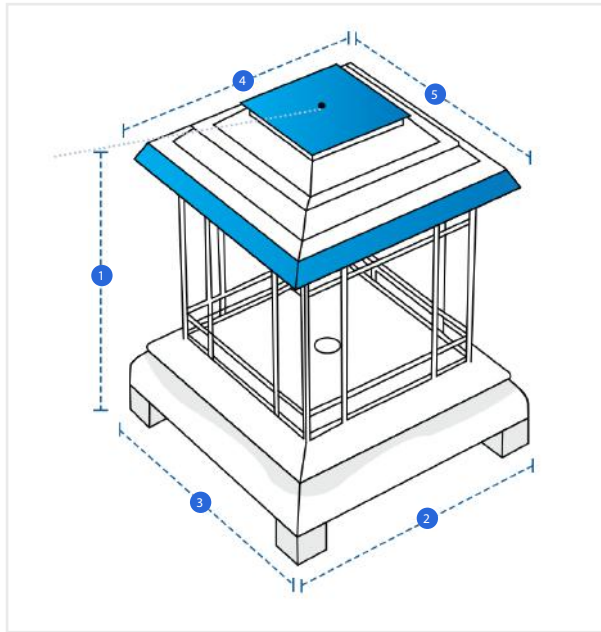


## How to Measure Fire Column Covers - Design 10

### Measurement Instruction

- ✓ Give exact measurement from edge to edge.
- ✓ We add 1" to 2" leeway on the given width/depth for easy pull-in and pull-out.
- ✓ The height dimensions will remain same as provided by you.



### Measurement (Inches)

1. Height

2. Width

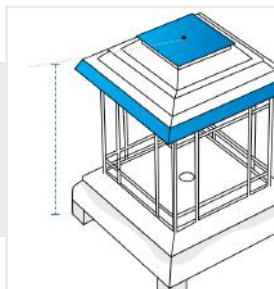
3. Depth

4. Top Width

5. Top Depth

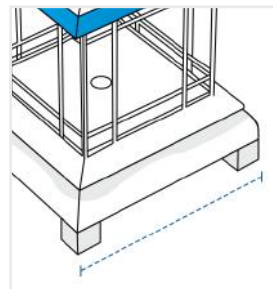
#### 1. Height:

Height of the Fire Column



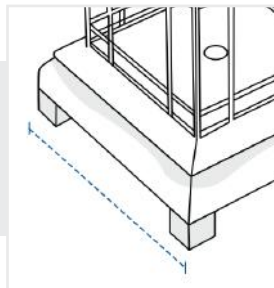
#### 2. Width:

Width of the Fire Column



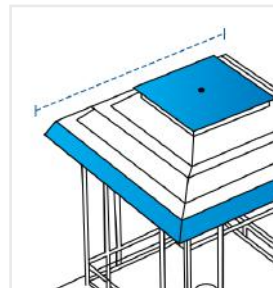
#### 3. Depth:

Depth of the Fire Column



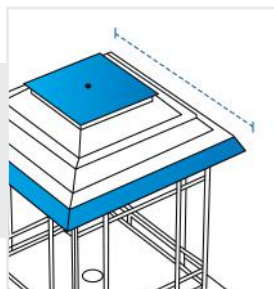
#### 4. Top Width:

Top Width of the Fire Column



#### 5. Top Depth:

Top Depth of the Fire Column



We encourage you to upload the image of the article you need the cover for - this helps our team ensure covers are designed keeping your requirements in mind.