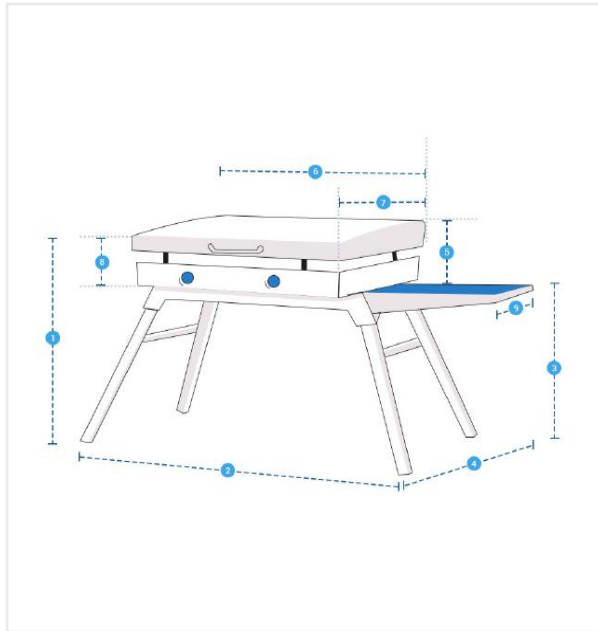


How to Measure Custom Griddle Covers - Design 4

Measurement Instruction

- ✓ Give exact measurement from edge to edge.
- ✓ We add 1" to 2" leeway on the given width/depth for easy pull-in and pull-out.
- ✓ The height dimensions will remain same as provided by you.
- ✓ All measurements will be done in inches.



Measurement (Inches)

- | | | | |
|--|----------------------|---------------------------------|----------------------|
| 1. Total height | <input type="text"/> | 2. Total Width | <input type="text"/> |
| 3. Height (Shelf to Ground) | <input type="text"/> | 4. Total Depth | <input type="text"/> |
| 5. Back height of Griddle Hood | <input type="text"/> | 6. Width of Griddle Hood | <input type="text"/> |
| 7. Depth of Griddle Hood from front handle | <input type="text"/> | 8. Front height of Griddle Hood | <input type="text"/> |
| 9. Depth of shelf | <input type="text"/> | | |

1. Total height:
Total height of Griddle



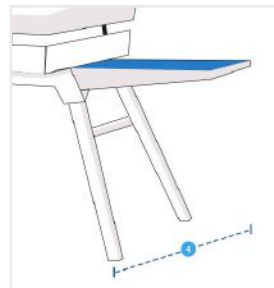
2. Total Width:
Width of the Griddle



3. Height (Shelf to Ground):
Height (Shelf to ground) of Griddle



4. Total Depth:
Total Depth of Griddle



We encourage you to upload the image of the article you need the cover for - this helps our team ensure covers are designed keeping your requirements in mind.

How to Measure Custom Griddle Covers - Design 4

Measurement Instruction

- ✓ Give exact measurement from edge to edge.
- ✓ We add 1" to 2" leeway on the given width/depth for easy pull-in and pull-out.
- ✓ The height dimensions will remain same as provided by you.
- ✓ All measurements will be done in inches.

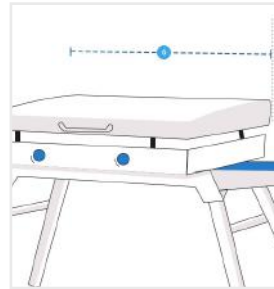
5. Back height of Griddle Hood:

Measure the back height of Griddle Hood



6. Width of Griddle Hood:

Measure the width of Griddle Hood



7. Depth of Griddle Hood from front handle:

Depth of Griddle Hood from front handle of the Griddle



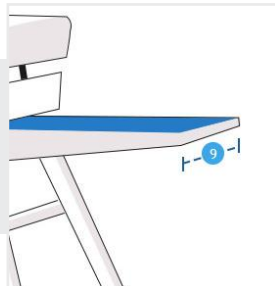
8. Front height of Griddle Hood:

Measure the front height of Griddle Hood



9. Depth of shelf:

Depth of shelf of the Griddle



We encourage you to upload the image of the article you need the cover for - this helps our team ensure covers are designed keeping your requirements in mind.