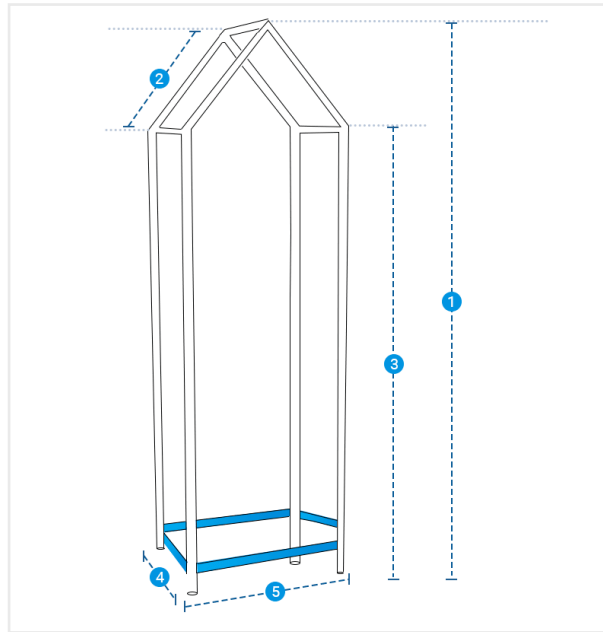


# How to Measure Custom Firewood Rack Cover - Design 5

## Measurement Instruction

- ✓ Give exact measurement from edge to edge.
- ✓ We add 1" to 2" leeway on the given width/depth for easy pull-in and pull-out.
- ✓ The height dimensions will remain same as provided by you.

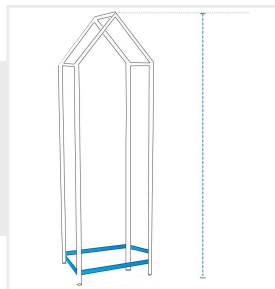


### Measurement (Inches)

|                     |                      |                 |                      |
|---------------------|----------------------|-----------------|----------------------|
| 1. Height           | <input type="text"/> | 2. Slant Height | <input type="text"/> |
| 3. Height till Edge | <input type="text"/> | 4. Depth        | <input type="text"/> |
| 5. Width            | <input type="text"/> |                 |                      |

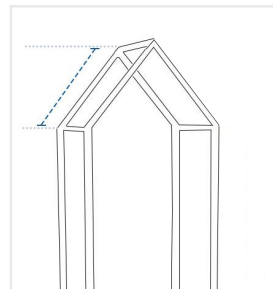
#### 1. Height:

Height of the Custom Firewood Rack



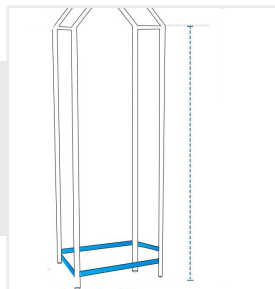
#### 2. Slant Height:

Slant Height of the Custom Firewood Rack



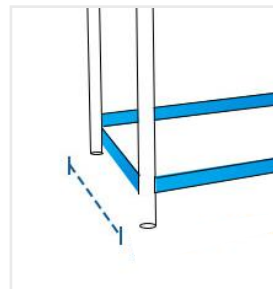
#### 3. Height till Edge:

Height till Edge of the Custom Firewood Rack



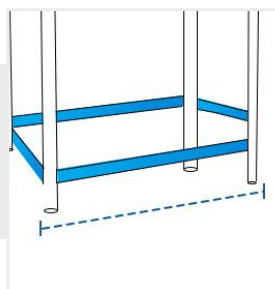
#### 4. Depth:

Depth of the Custom Firewood Rack



#### 5. Width:

Width of the Custom Firewood Rack



We encourage you to upload the image of the article you need the cover for - this helps our team ensure covers are designed keeping your requirements in mind.